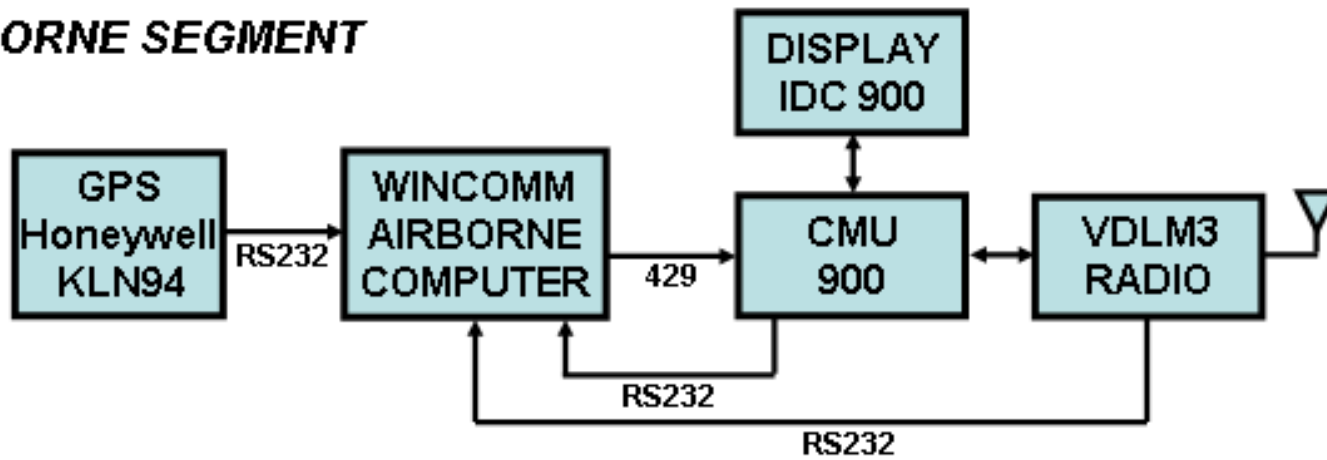
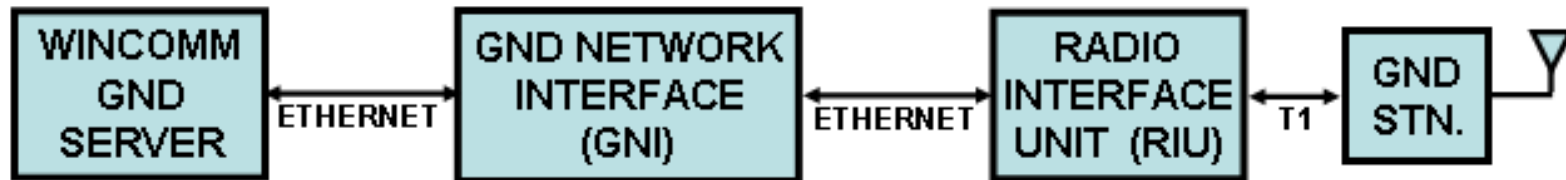
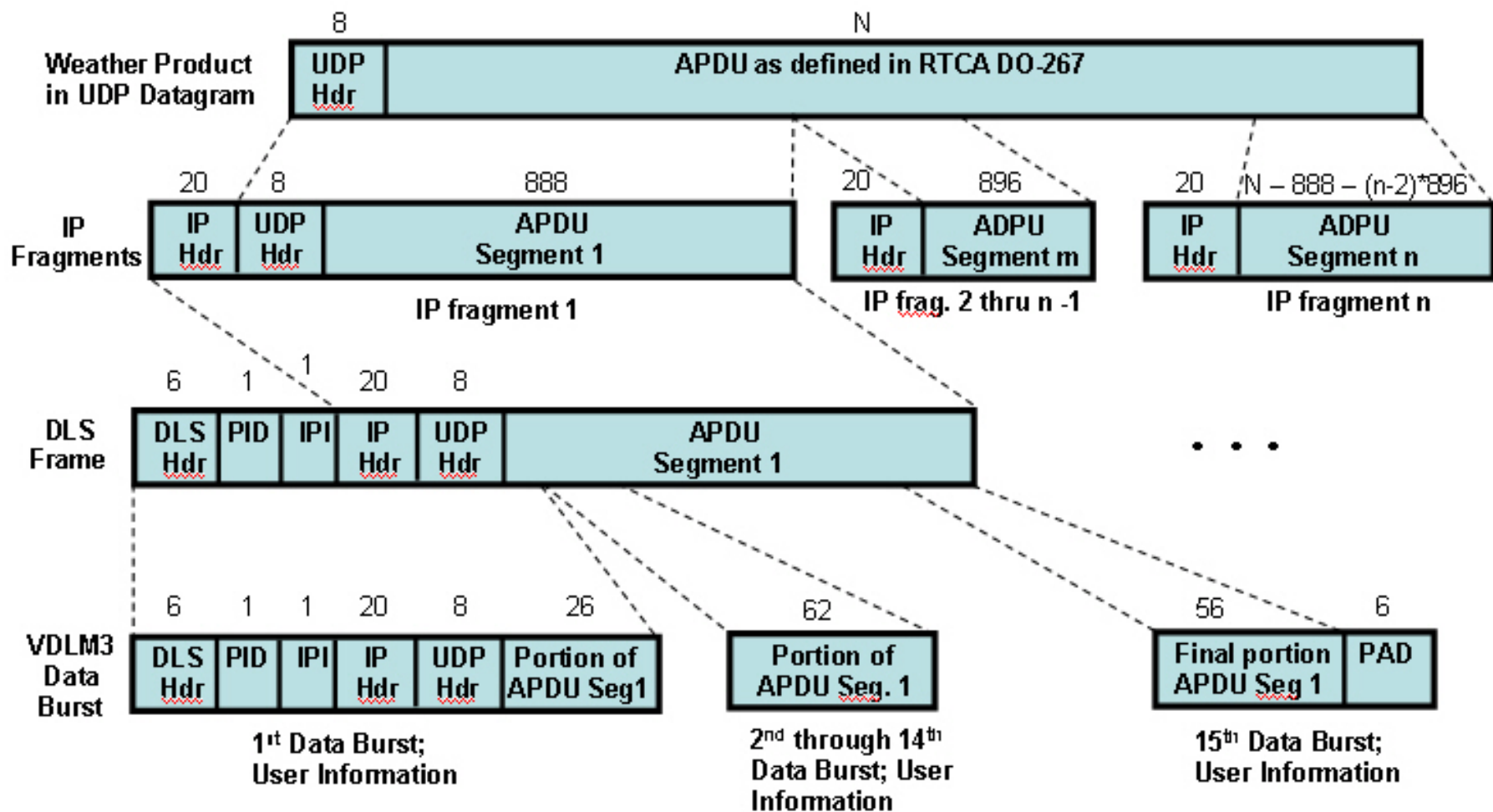


AIRBORNE SEGMENT

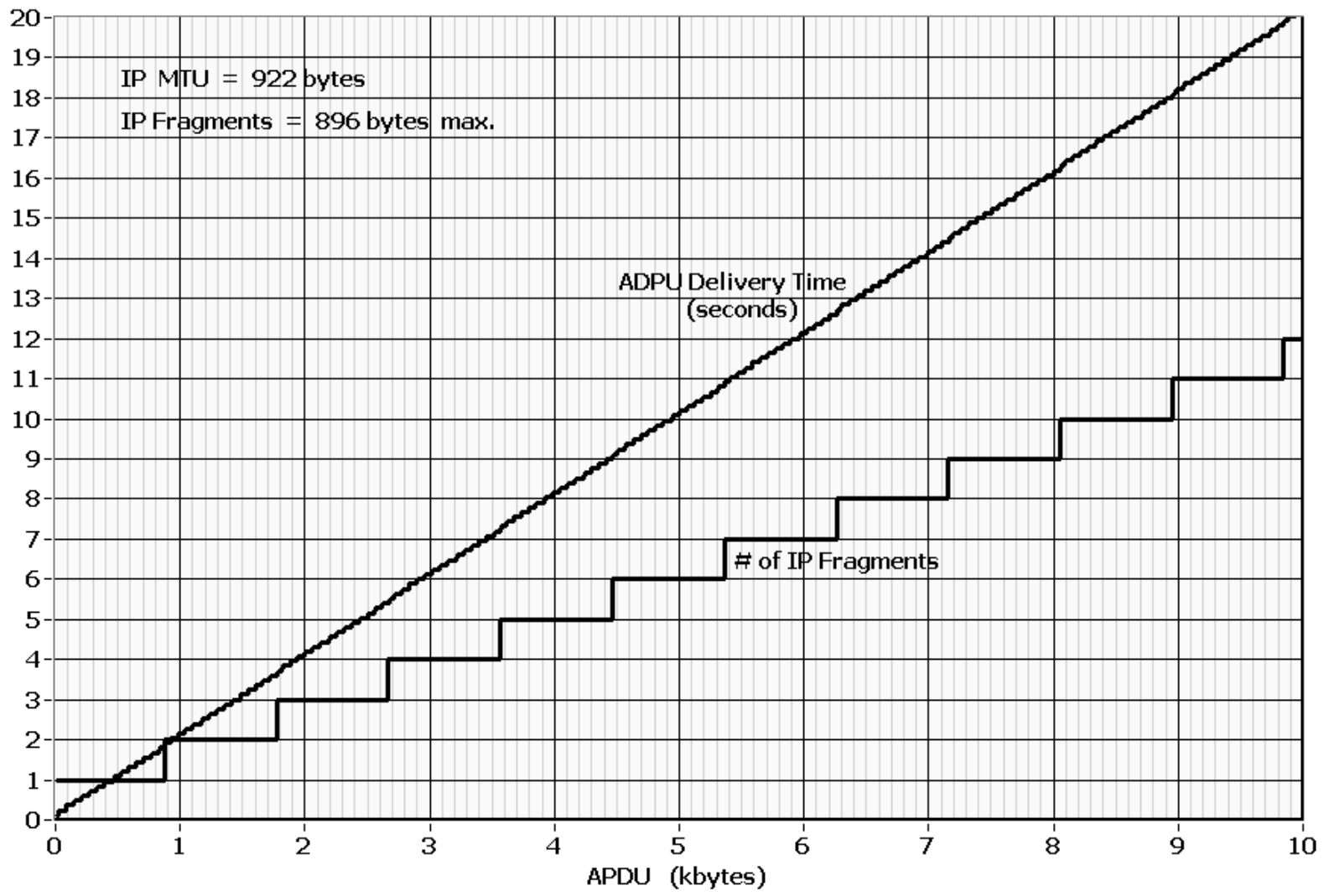


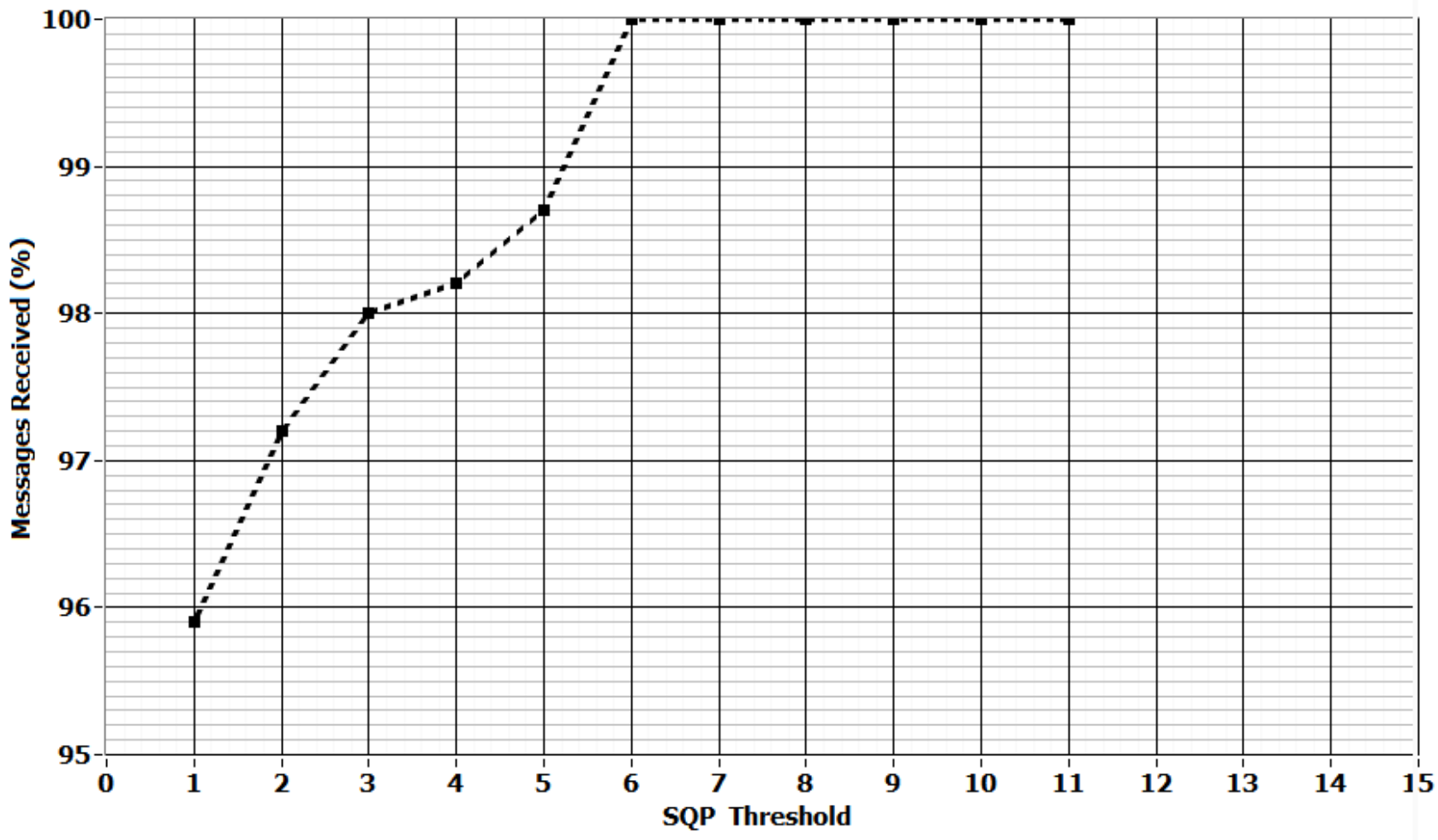
GROUND SEGMENT



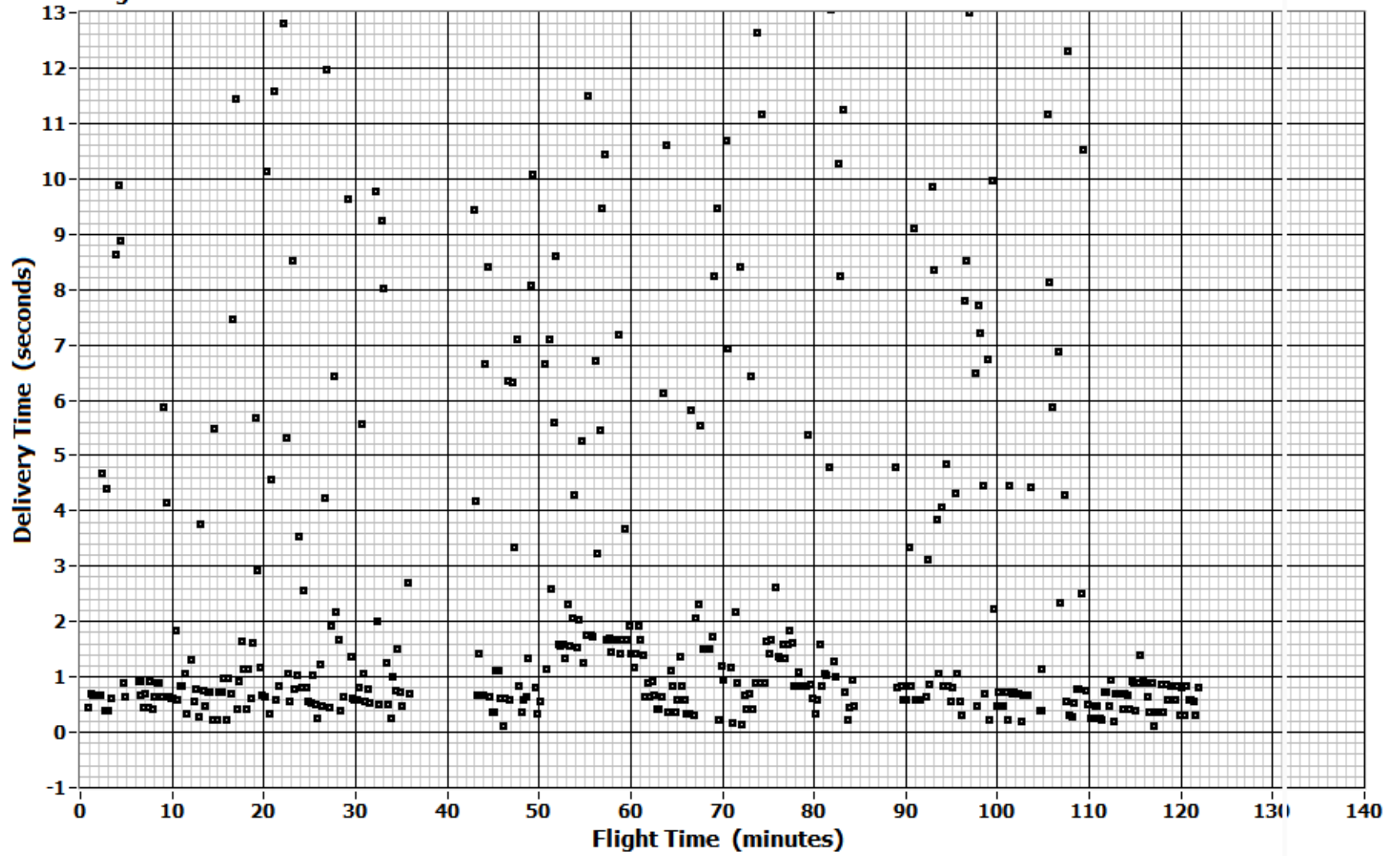


1. Values are based on IP MTU = 922 bytes = (54 + 14*62).
2. PID = 0x40 and IPI = 0xCC indicates an IPv4 Datagram.





Flight #5



	Flt. #2	Flt. #3	Flt. #4	Flt. #5
TTMs Sent	136	122	217	444
TTMs Rec'd.	136	122	217	444
TTMs Lost	0	0	0	0
Retransmissions:				
at the TCP layer	5	6	20	34
at the DLS layer	55	32	49	93

Table 6. TCP messaging of the turbulence messages.